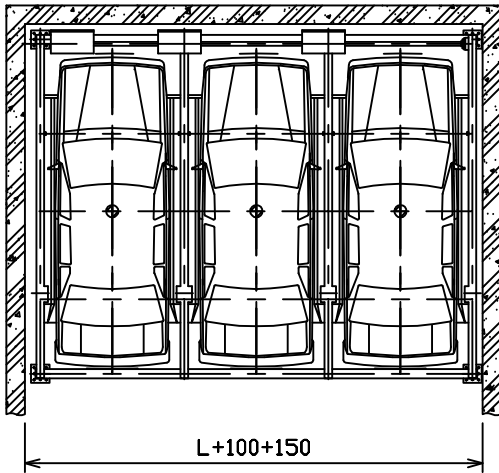


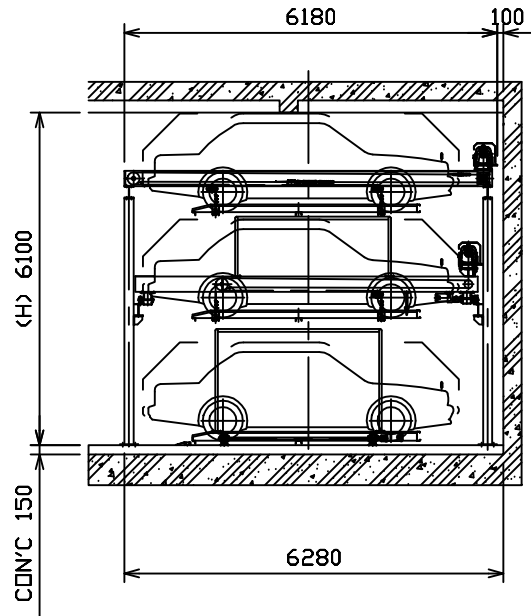
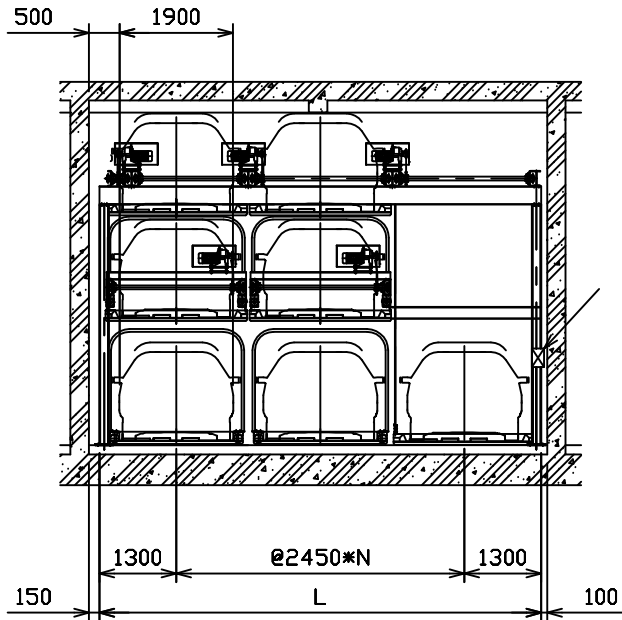
PRODUCED BY AN AUTODESK EDUCATIONAL PRODUCT

Puzzle Parking System.
Model: PP-3

Standard Specification



Model	PP-3		
Acceptable spec.	length	5120	MM
	width	2060 (included side mirror)	MM
	height	1700	MM
	weight	2000	KG
Lifting/ Lowering	Motor	3.7Kw x 4P	
	Speed	5 M/MIN	
2F Transverse	Motor	0.4Kw x 4P	
	Speed	8 M/MIN	
1F Transverse	Motor	0.4Kw x 4P	
	Speed	10 M/MIN	
Power	AC220/380V,60Hz,3?-4W+E		
CONTROL	P. L. C		



standard dimensions

N	1	2	3	4	5	6	7	8
capacity	4	7	10	13	16	19	21	24
L (MM)	5300	7750	10800	12550	15100	17540	19980	23000

* If different standard spec.
from structure's, required to contact us
* RV is excluded, required to contact us

remarks

1. If you need to set sprinkler, please contact to us
2. Possible to anchor in the base of parking lot and wall
Required to construct trench (to flow water) without intervention in the base of metal frame
3. Required to set ventilation system
4. Main power dragging to control panel
5. Required to set lighting and electricity system in underground.
6. Required to set safe handrail or security fence at other sides except front side.

<p>NEW TECH EQUIPMENTS PVT. LTD. IMPORT, SUPPLY Car Parking Systems. 10, Madhav Nagar, Park Road, Bangalore 560032 Phone: 080-26080000, 26080001, 26080002</p>					
TITLE: PUZZLE PARKING SYSTEM PP-3					
JOB TITLE:			JOB NO.:		
DATE	NAME	QTY.	MATERIAL	REMARKS	
				0	