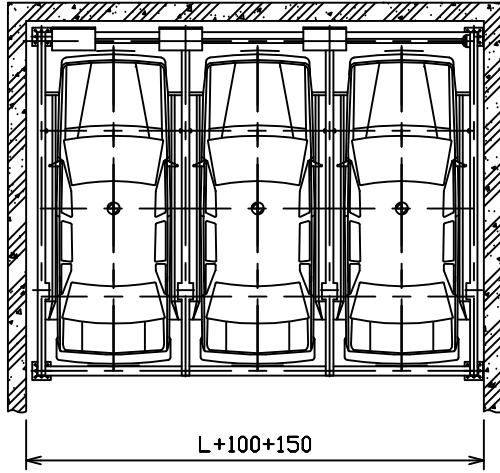


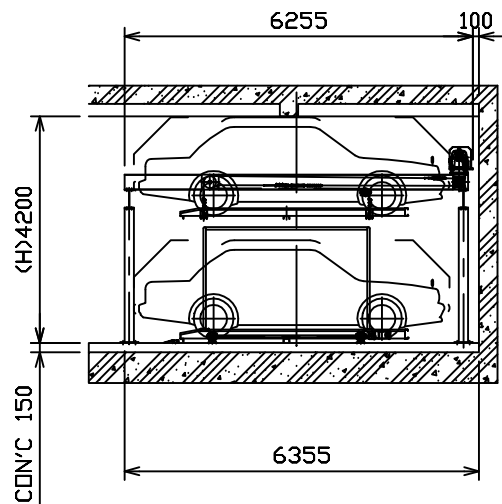
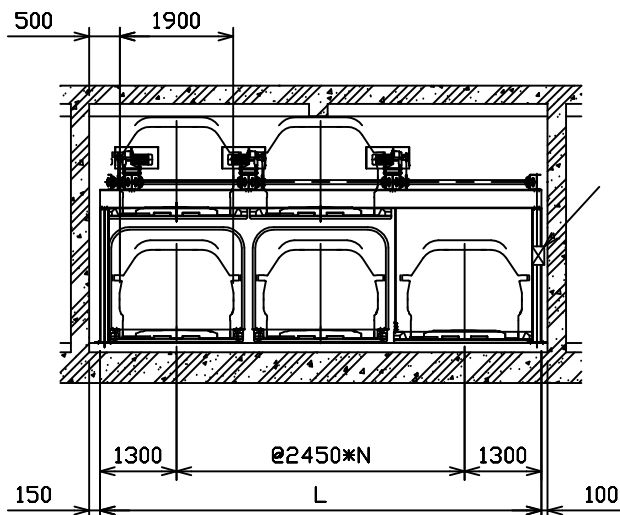
PRODUCED BY AN AUTODESK EDUCATIONAL PRODUCT

Puzzle Parking System.
Model: PP-2

Standard Specification



Model	PP-2		
Acceptable spec.	length	5120	MM
	width	2060 (included side mirror)	MM
	height	1550	MM
	weight	2100	KG
Lifting/ Lowering	Motor	3.7Kw x 4P	
	Speed	5 M/MIN	
1F Transverse	Motor	0.4Kw x 4P	
	Speed	10 M/MIN	
Power	AC220/380V,60Hz,3?-4W+E		
CONTROL	P. L. C		



standard dimensions

N	1	2	3	4	5	6	7	8
capacity	3	5	7	9	11	13	15	17
L (MM)	5300	7750	10800	12550	15100	17540	19980	23000

* If different standard spec.
from structure's, required to contact us
* RV is excluded, required to contact us

remarks

- 1.If you need to set sprinkler, please contact to us
- 2.Possible to anchor in the base of parking lot and wall Required to construct trench (to flow water) without intervention in the base of metal frame
- 3.Required to set ventilation system
- 4.Main power dragging to control panel
- 5.Required to set lighting and electricity system in underground.
- 6.Required to set safe handrail or security fence at other sides except front side.



NEW TECH EQUIPMENTS PVT. LTD.
MFGS. OF 'MULTI' Car Parking Systems.
25, Vaidhyanagar, Bangalore-560025, Karnataka, India.
Phone: 080-2609111, 2609112, 2609113, 2609114

PROJECT: **PUZZLE PARKING SYSTEM PP-2**

JOB NO. _____

NO.	NAME	DATE	QTY.	MATERIAL	REMARKS
0					