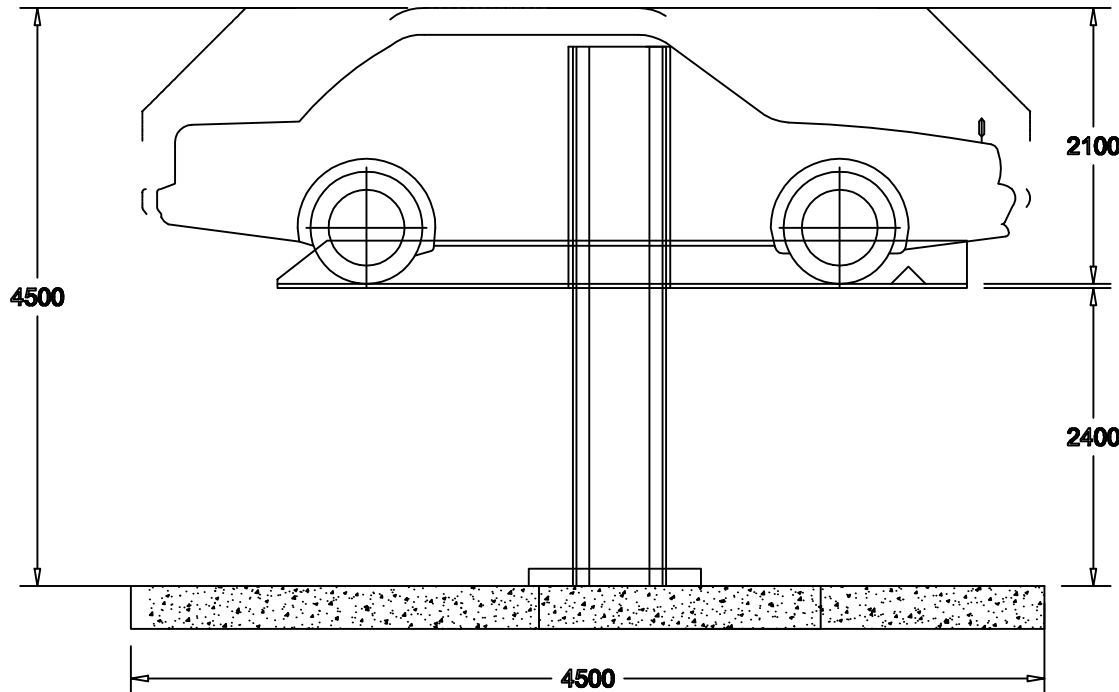
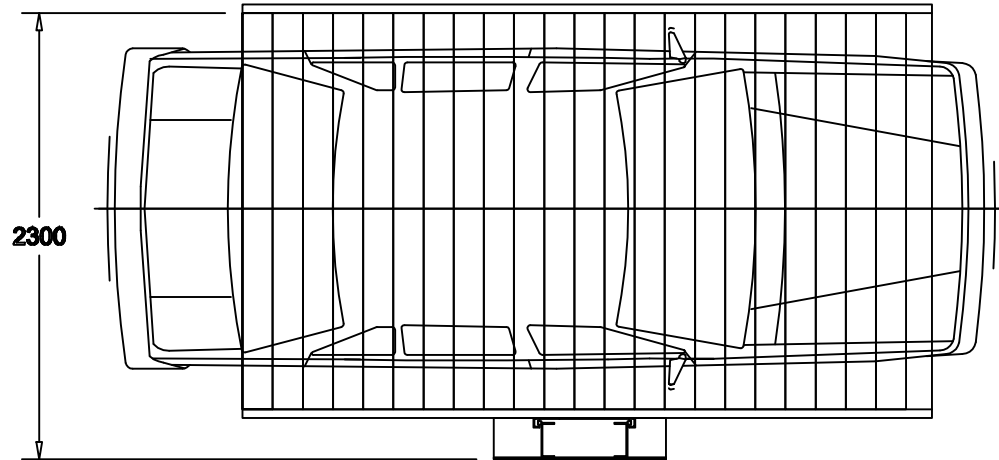



# 'Multi' Cantilever Parking System. (Cantilever Deck Small parking)



'Multi' Cantilever Parking System.  
 Model: CP-11(SPL)  
 Space Required: L-4500mm x W-2300mm x H-4500mm  
 Allowable Car Dimensions:(MAX)  
 Top Car Dimenstons:L-4500mm x W- 1700mm x H-1500mm

ANGULAR DIM. SURFACE FINISH		 <b>NEW TECH EQUIPMENTS PVT. LTD.</b> MUMBAI, GUJARAT Car Parking System. 25, Vardolal Road, Industrial Area, Sector 14, Gurgaon.	
FINISH: 13 - 25 TOLERANCE: 1/2 - 6 SURFACE: 0.05 - 1.0 SURFACE: < 0.05			
OVER LIFT VOL.		TITLE: Cantilever Parking System.	
1 8 2.1° MACHINING TOL. PER 6 30 2.30° OPEN DIMEN. AS 30 120 2.50° PER IS:2102 1000. 120 400 2.10°		SUB TITLE: _____	
LINEAR DIMENS.		JOB NO. _____	
OVER 1 4 1.30 1.20 1.515 DEPTH 8 30 120 125 1000 VOL. 2 0.1 2 0.2 2 0.3 2 0.5 2 0.8		SHEET OF _____	
PROJECTION: SCALE		DRAWTN _____	
APPROVED _____		DATE _____	
		MATERIAL _____	
		QTY. _____	
		JWB. NO. _____	
		0	